

Remote Control Panel



Remote Control Panel – RCP

Remotely switch a KVM port to any CPU port

Compatible with Rose Electronics UltraView, ServeView, and MultiVideo products

Connects directly to the RS232 port of a KVM switch using a single RJ11 Data cable

Features and Benefits

- Simple push button operation
- Extended distance capabilities with standard RJ11 data cable
- Available in 4, 8, 12, and 16 switch models that match the number of CPU ports on your KVM switch
- Plugs into the RS232 port of a Rose KVM switch
- Has 1-DB9M, RS232 communication port
- Rack mount kits available for mounting in a 19", 23", or 24" rack
- No set-up or configuration required, connect the RJ11 cable, the power adapter and it is ready to use
- LEDs in the center of each select button indicates which CPU port is active
- Made in USA

The Remote Control Panel™ Advantage. .

The Remote Control Panel provides quick, easy, push-button switching to 4, 8, 12, or 16 computers.

When you push button 4 on the Remote Control Panel, CPU port 4 on the KVM switch is instantly switched to the KVM station.

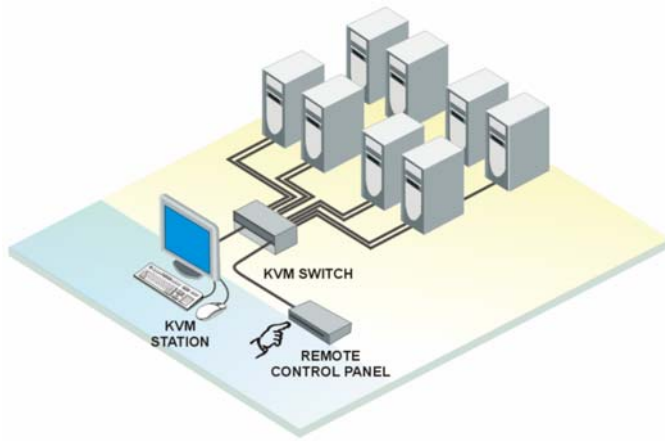
The Remote Control Panel is ideal for system applications where remotely switching different computers to a common keyboard, monitor, and mouse is needed.

Video switching applications, presentations, training sessions, and many other applications are made easy by using the push-button features of the Remote Control Panel.



Connect to a CPU with the push of a button

Typical Application



Instantly switch the KVM station to any CPU with the press of a button

Models The Remote Control Panel is available in four different models:

- 16 channel – Connects to 16 computers
- 12 channel – Connects to 12 computers
- 8 channel – Connects to 8 computers
- 4 channel – Connects to 4 computers

Cables A serial adapter cable is used to connect the Remote Control Panel to the RS232 port on a compatible KVM switch. The DB9M to RJ11 cable connects from the DB9M connector on the Remote Control Panel to the RS232 port on the KVM switch. Extended distance cables are offered for distances greater than 5 feet from the Remote Control Panel.

Installation The Remote Control Panel is easy to install. You simply connect a cable from your KVM switch to the Remote Control Panel, connect the power adapter and it is ready to use. No setup or configuration is needed.

Operation Operating the Remote Control Panel is as easy as pushing a button. If you want the KVM station to switch to CPU port #5, just push button #5. Immediately the KVM station will switch to CPU port #5 and that computer's video will display.

Part numbers

Model

RCP-16RS	16 switch model
RCP-12RS	12 switch model
RCP-8RS	8 switch model
RCP-4RS	4 switch model
ACC-ATRX	Serial adapter, RJ11 to DB9F
CAB-04RJnnn	RJ11 cable (nnn = length in feet)
RM-UL19	19" Rack mount kit
RM-UL23	23" Rack mount kit
RM-UL24	24" Rack mount kit

Specifications

	Width	Depth	Height	Weight
Dimensions	13.2	4.5	1.75 in	4lbs
	33.5	11.4	4.45 cm	1.8kg
Connectors	RS232 - DB9M Power - DIN5 Indicators			
Indicators	CPU port selection LED			
Chassis coated	Electro galvanized steel, black powder coated			
Temp	0° – 45°C / 32°F – 113°F			
Humidity	5% – 80% non-condensing RH			
Approvals	CE			



Rearview of (All models)