

VideoSplitter CAT5



Video splitter over CAT5 cable

Splits, amplifies, and extends video from a single video source to 6 or 12 monitors simultaneously over CAT5 cable

Video resolutions up to 1600 x 1200

Each remote monitor can be up to 1,000 feet away using industry standard CAT5 UTP cable

Optional Audio and Serial

Features and Benefits

- Extends a single video source to 6 or 12 video monitors using CAT5 twisted pair, solid core cables (Up to 1,000 feet)
- Serial and Full stereo audio (optional)
- Video resolutions up to:
1600 x 1200 at 200 feet,
1280 x 1024 at 300 feet,
1024 x 768 at 1,000 feet
(Video resolution will vary depending on the remote unit model used)
- Easy to install
- Rack mountable chassis

The VideoSplitter™ CAT5 Advantage

The VideoSplitter CAT5 is the extender of choice for businesses big and small that need to take a single video source and extend it to remote monitors. The serial/audio model takes a serial signal and full stereo signal and distributes it to remote stations.

VideoSplitter CAT5 allows you to position 6 or 12 video monitors, speakers, and serial device (optional serial and audio) up to 1,000 feet away from the source using common twisted pair CAT5 cable. Each of the modules connects to a CrystalView remote unit.

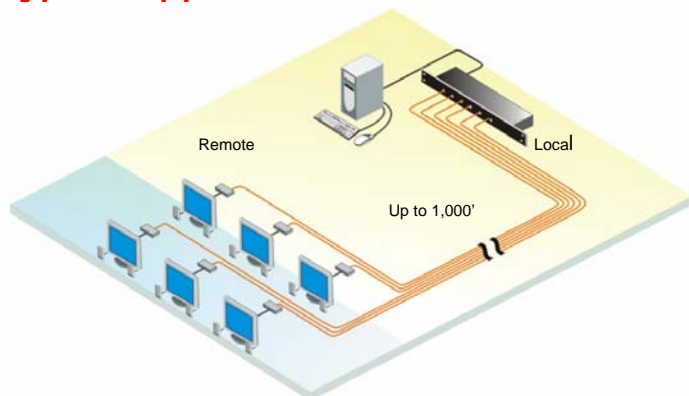
The VideoSplitter CAT5 is designed for plug-and-play operation. First, connect the computer video (serial and audio optional) to the local unit. Next, route the CAT5 cable between the local and remote units. Finally, connect the keyboard, monitor, and mouse (serial and audio optional) to the remote unit. Now it is ready to use.

Presentations, slide shows, schedules, and other types of common information can be centrally generated and displayed simultaneously on all remote monitors. The serial and audio models can distribute these signals to the remote stations.



Standard CAT5 connectors

Typical Application



Display the video source on up to 12 remote monitors
(Serial/Audio optional model shown)

Introduction The VideoSplitter CAT5 is a versatile and powerful product that extends the range to your monitors up to 1,000 feet using industry standard CAT5 twisted pair cables. Serial and audio model extends these signals to the remote station.

The system consists of the local VideoSplitter CAT5 and a remote unit for each monitor used. The local unit connects to your computer, The remote unit connects to a video monitor (serial device and speakers – optional) and the local and remote units are connected together with industry standard CAT5 cable. Each module (6 or 12) connects to a remote CrystalView unit.

Installation Installing the VideoSplitter CAT5 unit is a very easy process. First, mount the VideoSplitter CAT5 Rack securely in your console rack. Next, connect a CPU's monitor port or other video source to the unit using the appropriate adapter cable. Connect the audio out/in and serial ports to the unit on the serial/audio models. Connect a CAT5 cable between each module's RJ45 connector to a CrystalView remote unit's RJ45 connector. Connect a monitor to the remote units HD15F connector and power up the computer or video source and the remote unit. Connect stereo speakers and serial device to the serial and audio model (optional)

Operation Once the Remote and Local Unit modules are connected and configured, the Remote video monitors will all display the same image created by the computer or video source. If the CrystalView Plus is used for the remote units, a keyboard can be connected to the unit to adjust the video compensation if needed.

Part Numbers

CRV-6SLP-VS 6-Single video local units
CRV-12SLP-VS 12-Single video local units
/AUD suffix Serial and audio option

Optional Remote model

CRV-R Remote unit
CRV-MR Mini Remote unit**
CRV-R1V*** CrystalView Plus (Single video)
CRV-R2V*** CrystalView Plus (Dual video)
CRV-R4V*** CrystalView Plus (Quad video)
CRV-6SRP CrystalView Rack (Remote model)
/AUD suffix Serial and audio option

Cables and power adapter

CAB-08UTPnnn* Cable - CAT5 UTP (25-1,000 feet)
CAB-C1Y0000Cnnn* DB25M to HD15F
CAB-D9F6XD9M 1-DB9F to 6-DB9M
TFR-05D200FSUB Optional 5.0 V power adapter.

* nnn = length in feet

** Max length = 150' using the Mini remote

*** CrystalView Plus remote will require multiple input ports

Specifications

Dimensions	Width	Depth	Height	Weight
6-port unit	17in	4.2in	1.75in	3.75 - 4.00lbs
12-port unit	17in	4.2in	3.50in	5.00 - 5.50lbs
Chassis	Aluminum			
Resolution				
< 200'	1600 x 1200			
200' – 300'	1280 x 1024			
300' – 1,000'	1024 x 768			
Connectors				
CPU in	DB25F			
Link	RJ45			
Audio	(2) 3.5 mm stereo audio jacks			
Serial	DB9			
Power	5VDC external power adapter			
Environmental	0°C - 45°C / 32°F - 113°F			
	0% - 80% RH non-condensing			



Rear View (Video only model)



Rear View (Serial/Audio model)